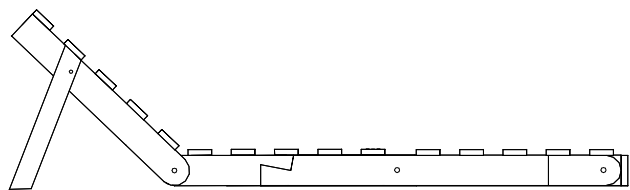


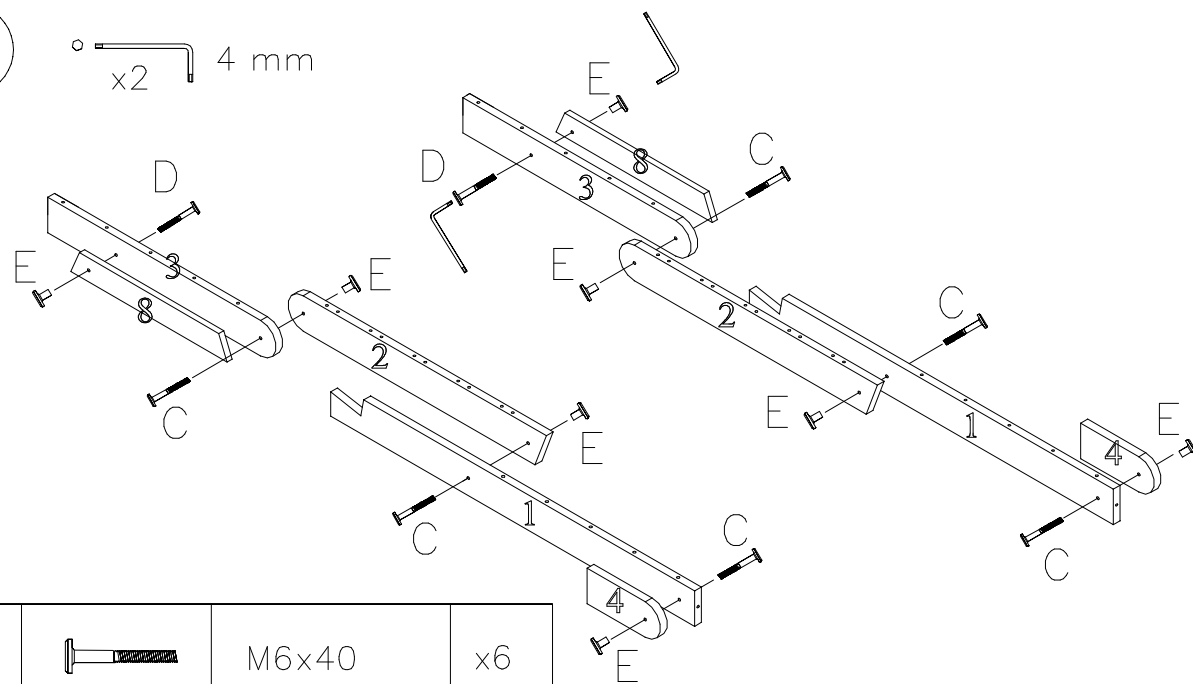
30 min.

A		5x38	x40
B		7x50	x2
C		M6x40	x6
D		M6x30	x2
E		M6x8x12x15	x8
		3 mm	x1
		4 mm	x2



1

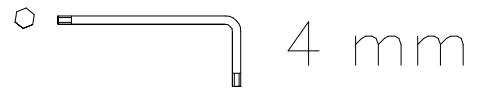
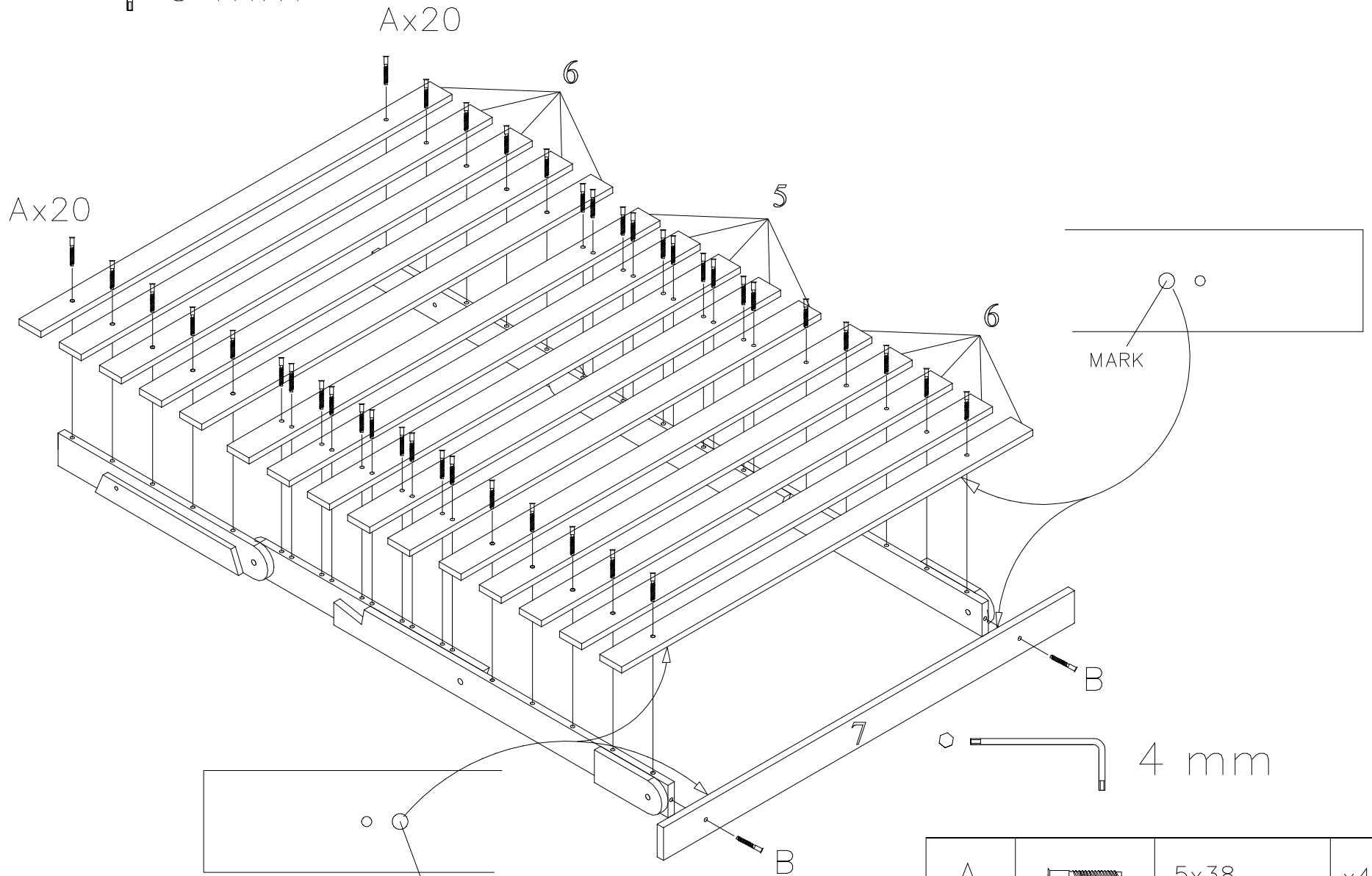
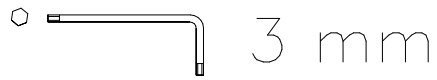
x2 4 mm



C		M6x40	x6
D		M6x30	x2

E		M6x8x12x15	x8
---	--	------------	----

2



A		5x38	x40
B		7x50	x2