



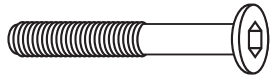
A - FRAME

ASSEMBLY INSTRUCTIONS

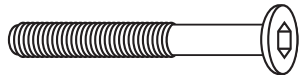
Before assembling your A-Frame, please read through these instructions carefully, familiarising yourself with the different parts.



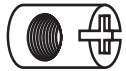
HARDWARE



A BOLT M6 X 60mm - 8 pcs



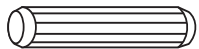
B BOLT M6 X 80mm - 2 pcs



C CROSS DOWELS - 10 pcs



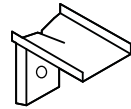
D PLASTIC RUNNER - 2 pc



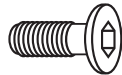
E WOODEN DOWEL - 4 pcs



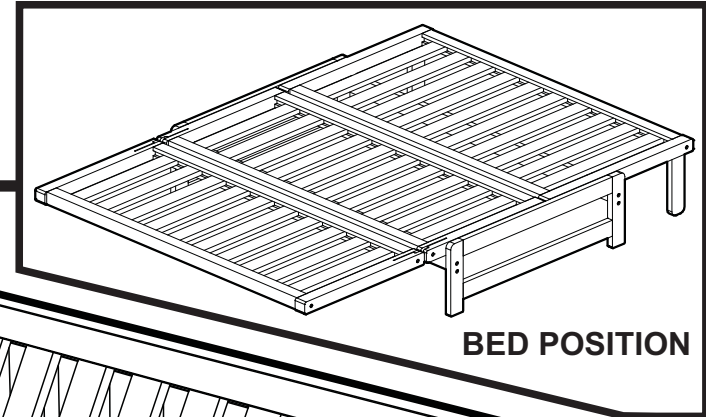
F ALLEN KEY - 1 pc



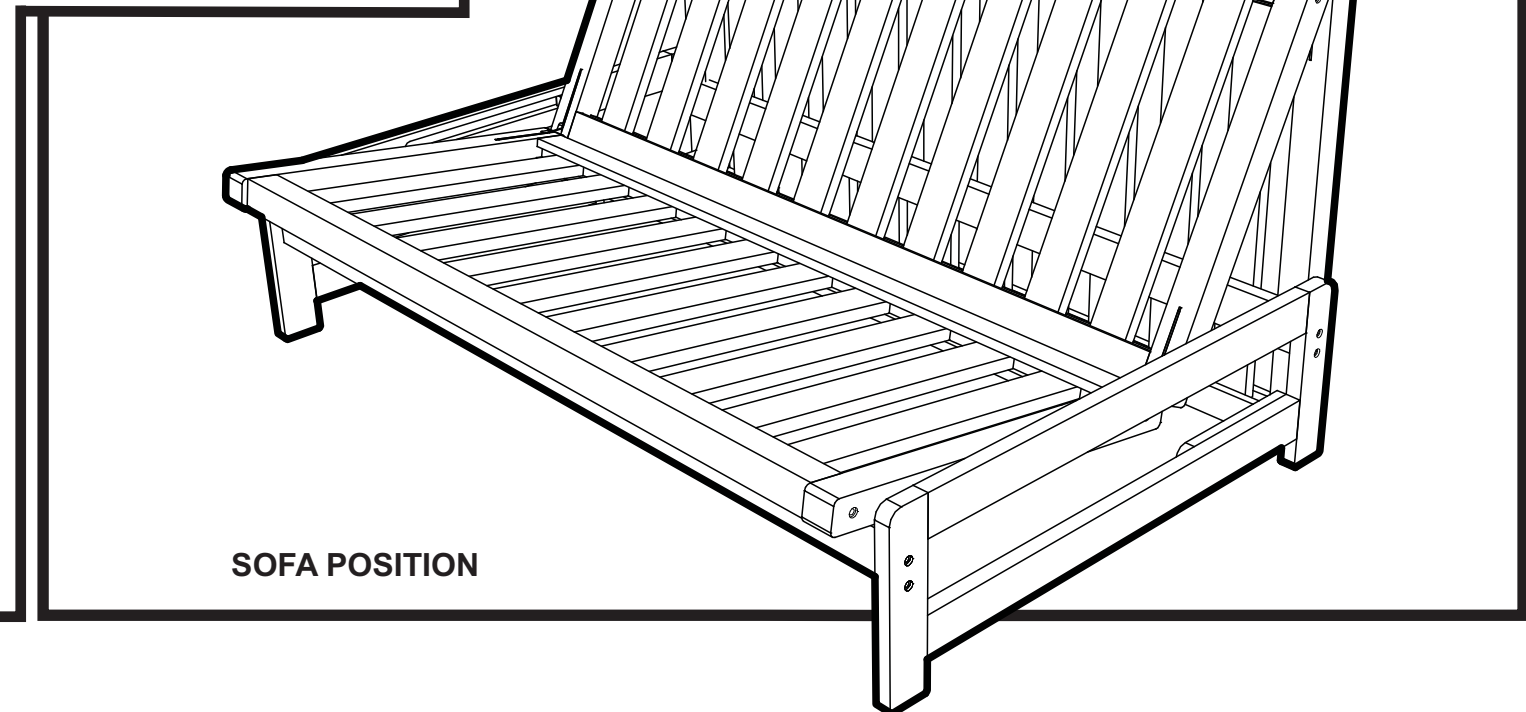
G STRETCHER BRACKET - 4 pcs



H BOLT M6 X 16mm - 4 pcs



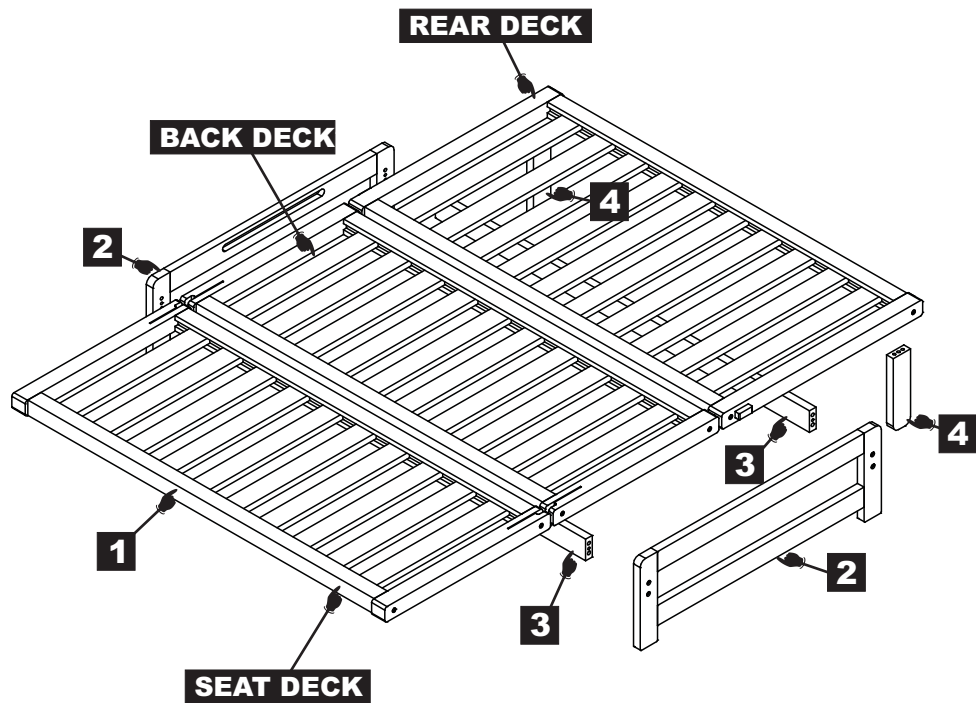
BED POSITION



SOFA POSITION

PART LIST

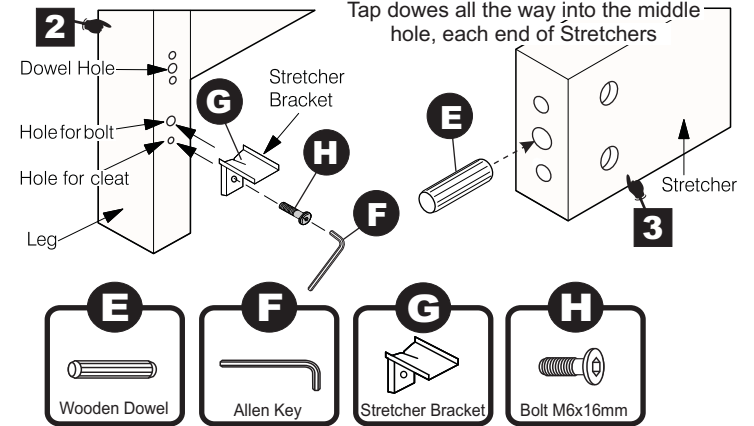
BOX 1 OF 1	1 DECK -----	1 PC
HARDWARE 1 BOX	2 ARM -----	2 PC
	3 STRETCHER -----	2 PCS
	4 LEG SUPPORT -----	2 PCS



STEP 1A Prepare Arms for Assembly

Fasten Stretcher Brackets to Arm.

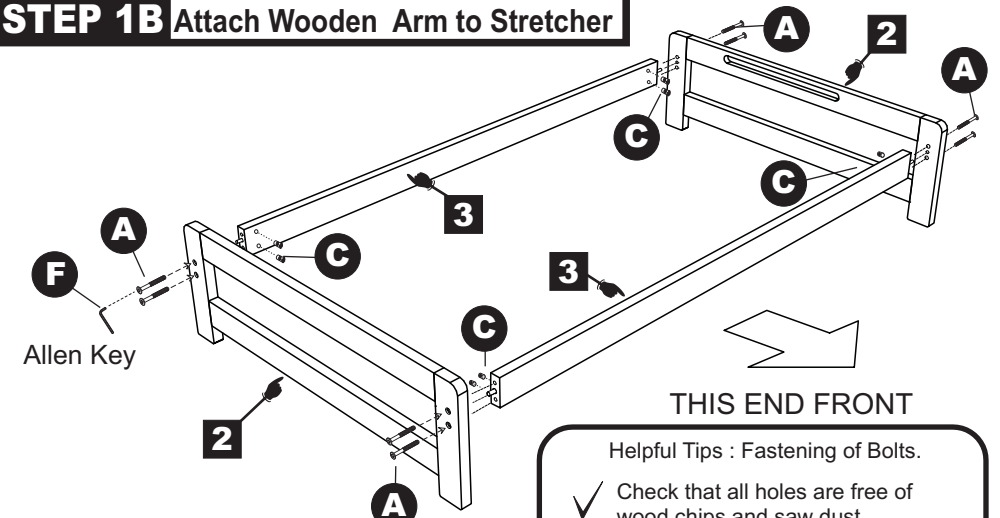
- A. Insert the Stretcher Bracket Cleat into the hole provided.
- B. IMPORTANT: Don't fully tighten Bracket until Stretches are all in place for easy alignment.
- C. Each arm requires two brackets, front and back.



Fit Wooden Dowels.

Tap dowels all the way into the middle hole, each end of Stretches

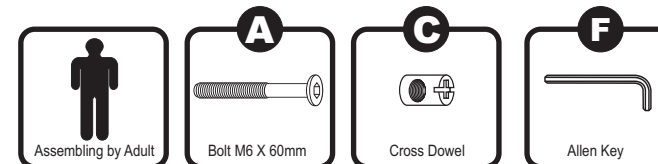
STEP 1B Attach Wooden Arm to Stretcher



Attach Wooden Arm (2) to Stretcher (3) Using Bolts (A) and Cross Dowel (E). Do not tighten Bolt at this stage.

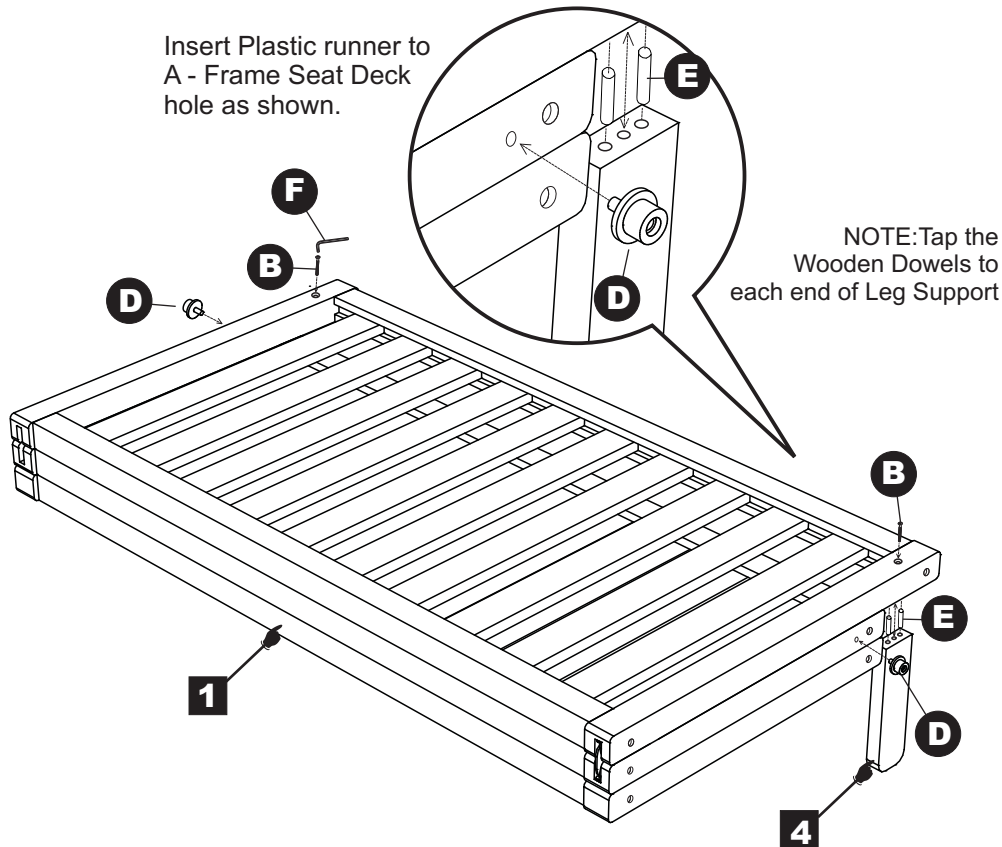
Helpful Tips : Fastening of Bolts.

- ✓ Check that all holes are free of wood chips and saw dust.
- ✓ A screw driver will help in aligning the Cross Dowel with the bolts.
- ✓ Screw the bolts in gently to avoid stripping the threads.



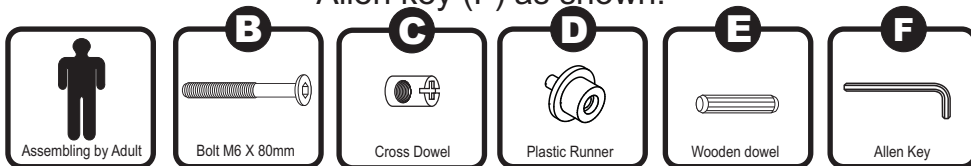
STEP 2 Attach Leg support and Plastic runner to A-Frame deck

Insert Plastic runner to A - Frame Seat Deck hole as shown.

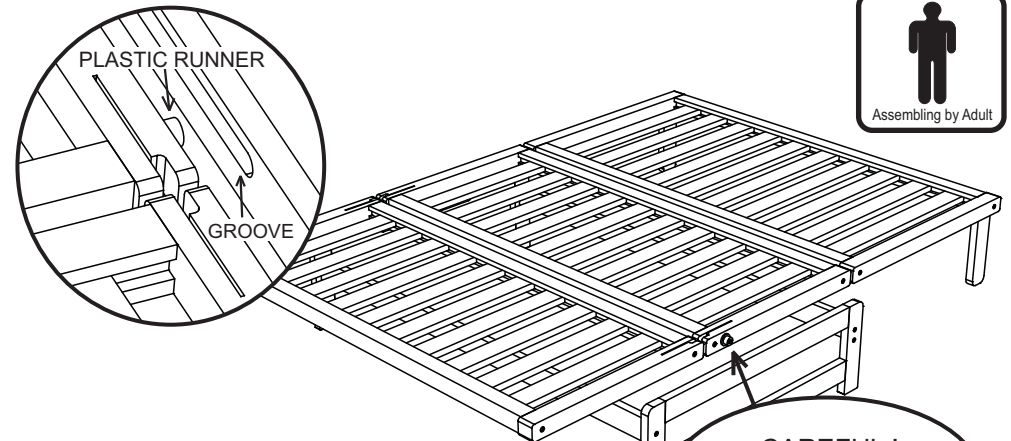


NOTE: Tap the Wooden Dowels to each end of Leg Support

Attach the Leg Support (4) to A - Frame rear deck (1) using 80 mm bolts (B), tighten with the Allen key (F) as shown.



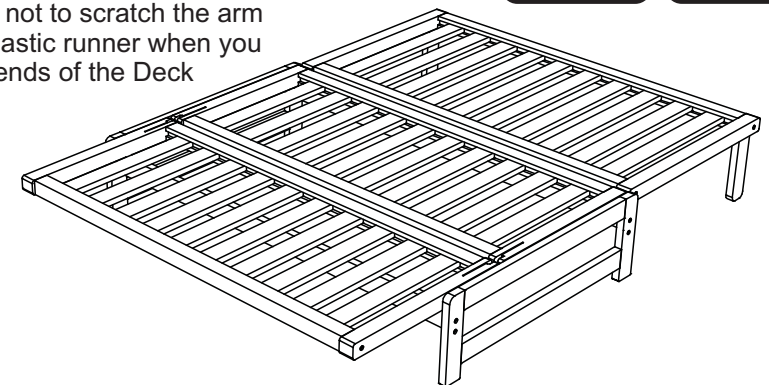
STEP 3A Fit Deck frame onto position



Place assemble Deck between both arms
Fit Plastic runner onto groove, and gently lower onto groove on the other side.
This step is tricky, use two or more people.

STEP 3B Tighten All the Bolts.

- ✓ This step can be tricky - it is best done with two or more people
- ✓ Remember that the bolts on the arm should be LOOSE
- ✗ Be careful not to scratch the arm with the Plastic runner when you lower the ends of the Deck

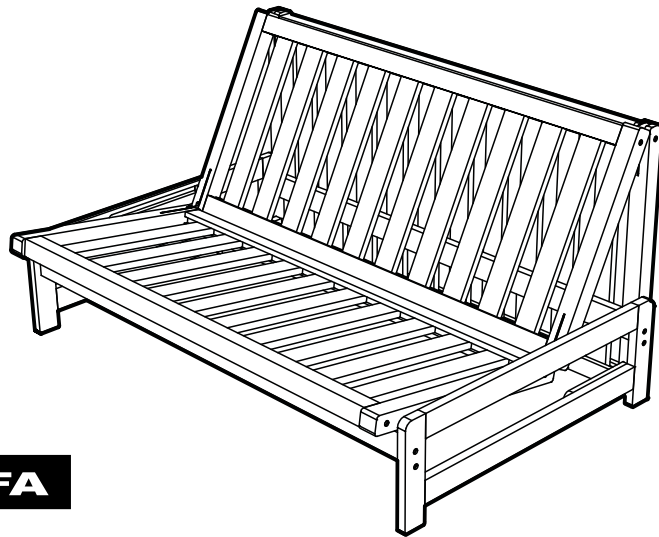


Lastly when you have the Deck Frame fitted lying flat, tighten all the Bolts.

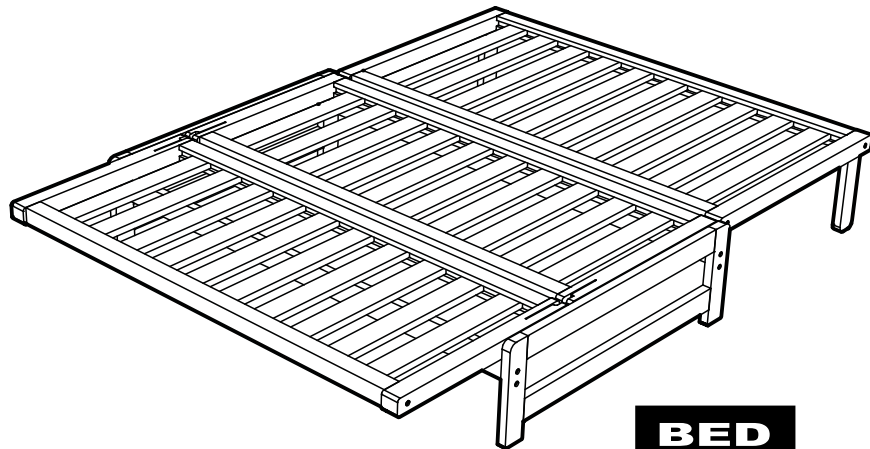
A-Frame

CONGRATULATIONS

Your A-Frame is now ready for use



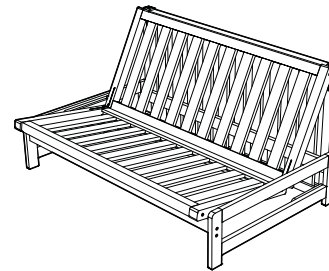
SOFA



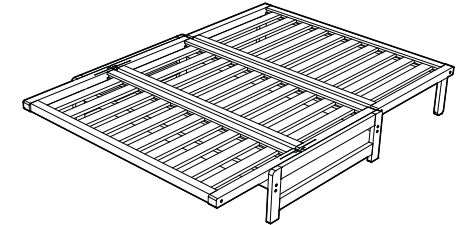
BED

Thank you for choosing our New A-Frame,
This practical design offers the utmost in versatility.
enjoy the usefull convertable fungtion,
sofa and bed in a one product.

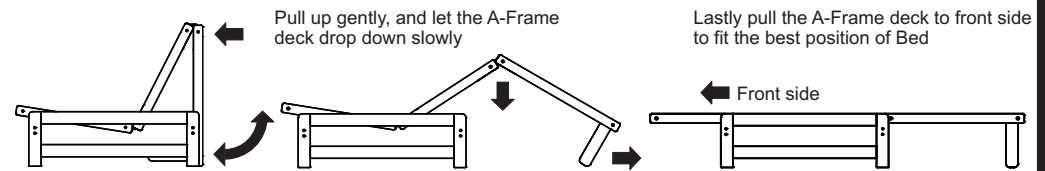
OPERATING INSTRUCTION



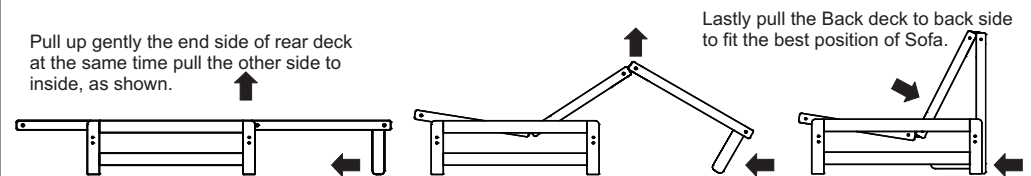
Sofa position.



Bed position.



Sofa to Bed position.



Bed to Sofa position.

Your A-Frame is now ready for use.
We recommend that you recheck that all screws are tightened.