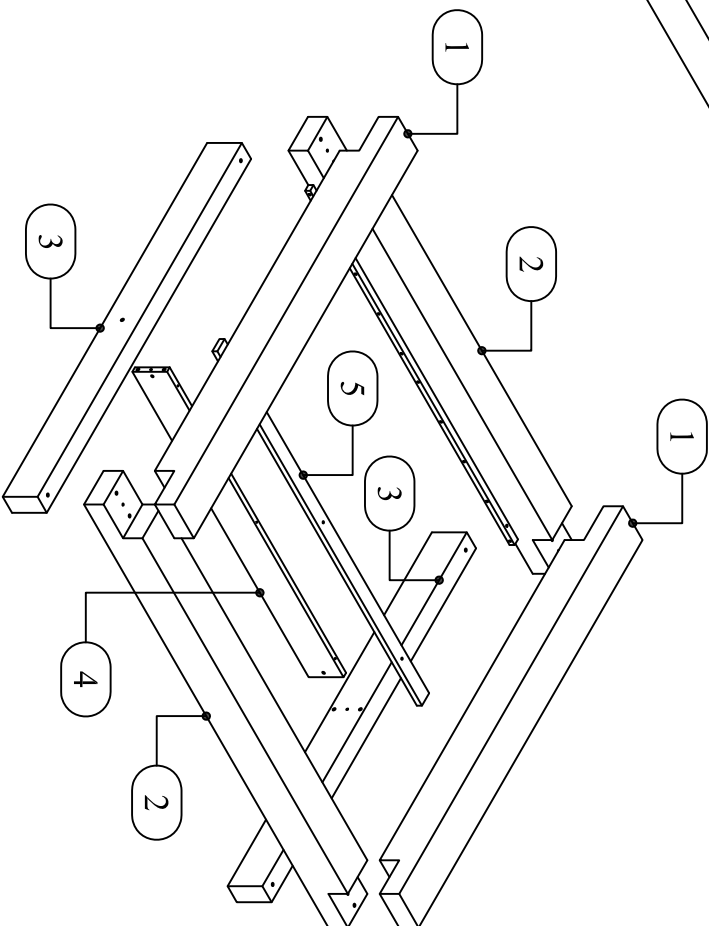
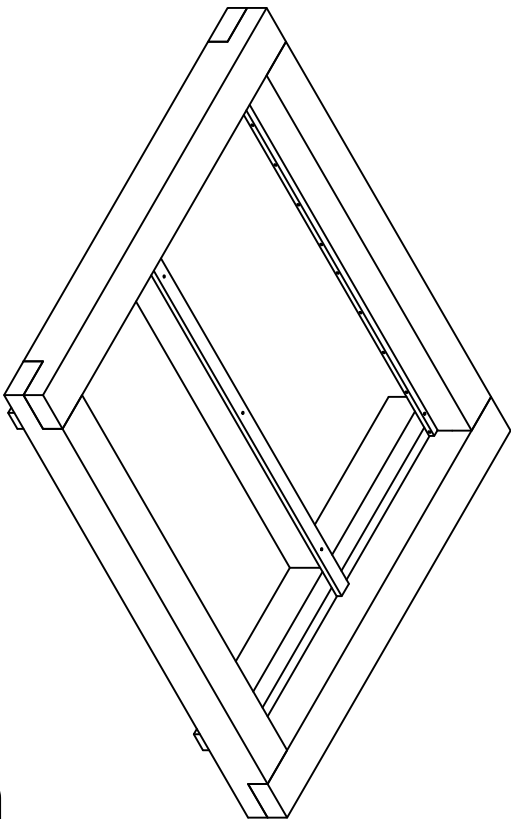
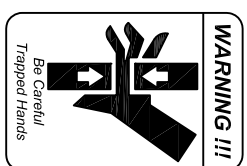
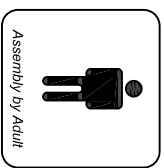
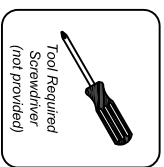




CHALET BRUS

ASSEMBLY INSTRUCTION

*Thank you for choosing our product.
Before assembling your Bed, please read through these
instructions carefully, familiarising yourself with the different parts.*



LIST OF COMPONENTS BOX # 1 / 3

| | | |
|---|------|-------|
| 3 | LEGS | 2 Pcs |
|---|------|-------|

LIST OF COMPONENTS BOX # 2 / 3

| | | |
|---|-------------|-------|
| 1 | HB/FB RAILS | 2 Pcs |
|---|-------------|-------|

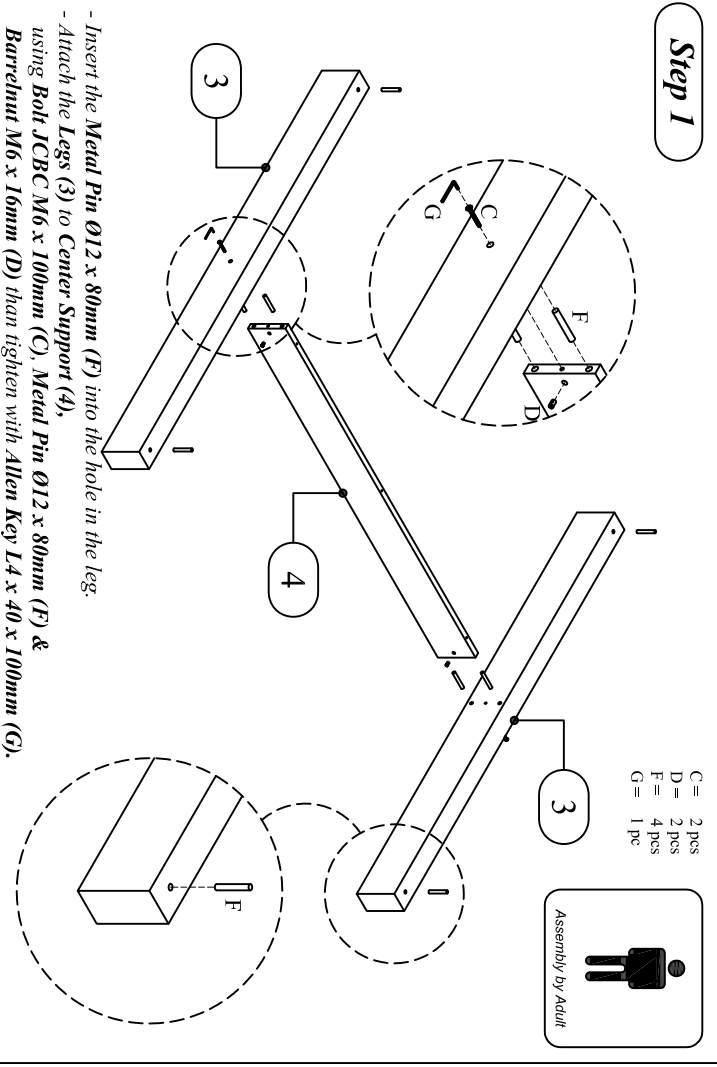
LIST OF COMPONENTS BOX # 3 / 3

| | | |
|---|------------------|-------|
| 2 | SIDE RAILS | 2 Pcs |
| 4 | CENTER SUPPORT 1 | 1 Pc |
| 5 | CENTER SUPPORT 2 | 1 Pc |

HARDWARE BOX # 3

| | | | |
|---|----------------------------|--------|--|
| A | Bolt Hexagon M8 x 130mm | 4 Pcs | |
| B | Ring Plate M8 x 1.5 x 17mm | 4 Pcs | |
| C | Bolt JCBC M6 x 100mm | 2 Pcs | |
| D | Barrelnut M6 x 16mm | 2 Pcs | |
| E | Screw JF8 x 1 1/2" | 7 Pcs | |
| F | Metal Pin Ø12 x 80mm | 16 Pcs | |
| G | Allen Key 1.4 x 40 x 100mm | 1 Pc | |
| H | Wrench 12mm | 1 Pc | |

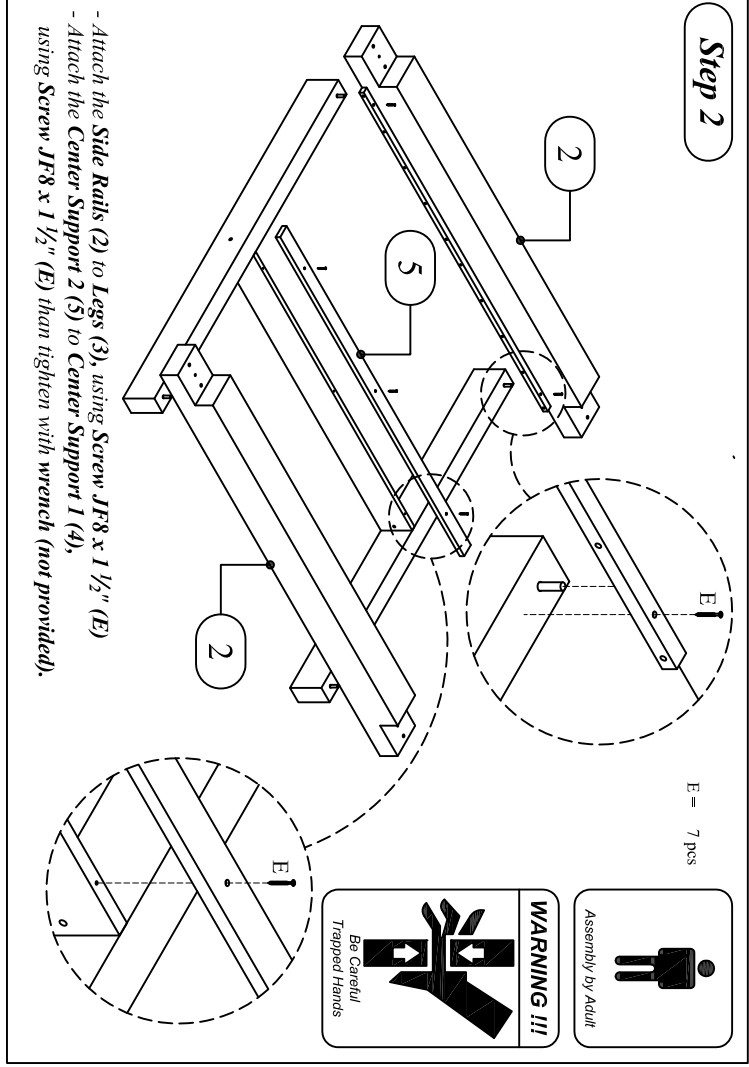
Step 1



- Insert the Metal Pin $\varnothing 12 \times 80\text{mm}$ (F) into the hole in the leg.

- Attach the Legs (3) to Center Support (4), using Bolt JCBBC M6 x 100mm (C), Metal Pin $\varnothing 12 \times 80\text{mm}$ (F) & Barrelnut M6 x 16mm (D) then tighten with Allen Key L4 x 40 x 100mm (G).

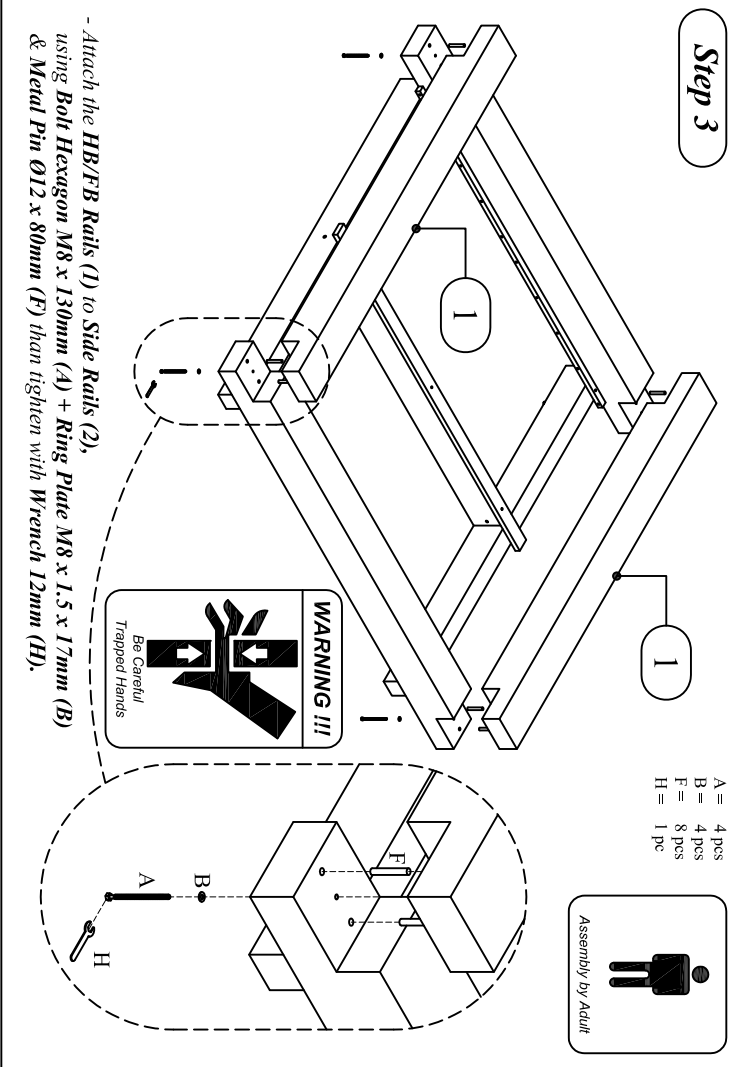
Step 2



- Attach the Side Rails (2) to Legs (3), using Screw JF8 x 1 1/2" (E)

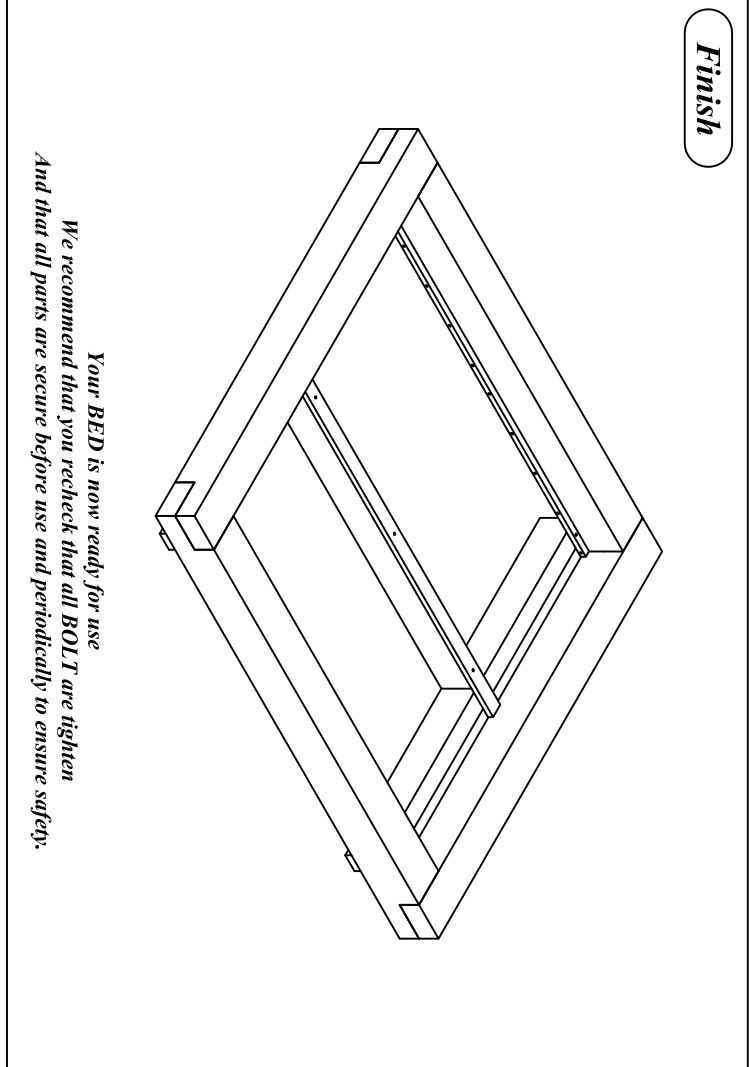
- Attach the Center Support 2 (5) to Center Support 1 (4), using Screw JF8 x 1 1/2" (E) than tighten with wrench (not provided).

Step 3



- Attach the HB/EB Rails (1) to Side Rails (2), using Bolt Hexagon M8 x 130mm (A) + Ring Plate M8 x 1.5 x 17mm (B) & Metal Pin $\varnothing 12 \times 80\text{mm}$ (F) then tighten with Wrench 12mm (H).

Finish



Your BED is now ready for use

We recommend that you recheck that all BOLT are tighten

And that all parts are secure before use and periodically to ensure safety.