



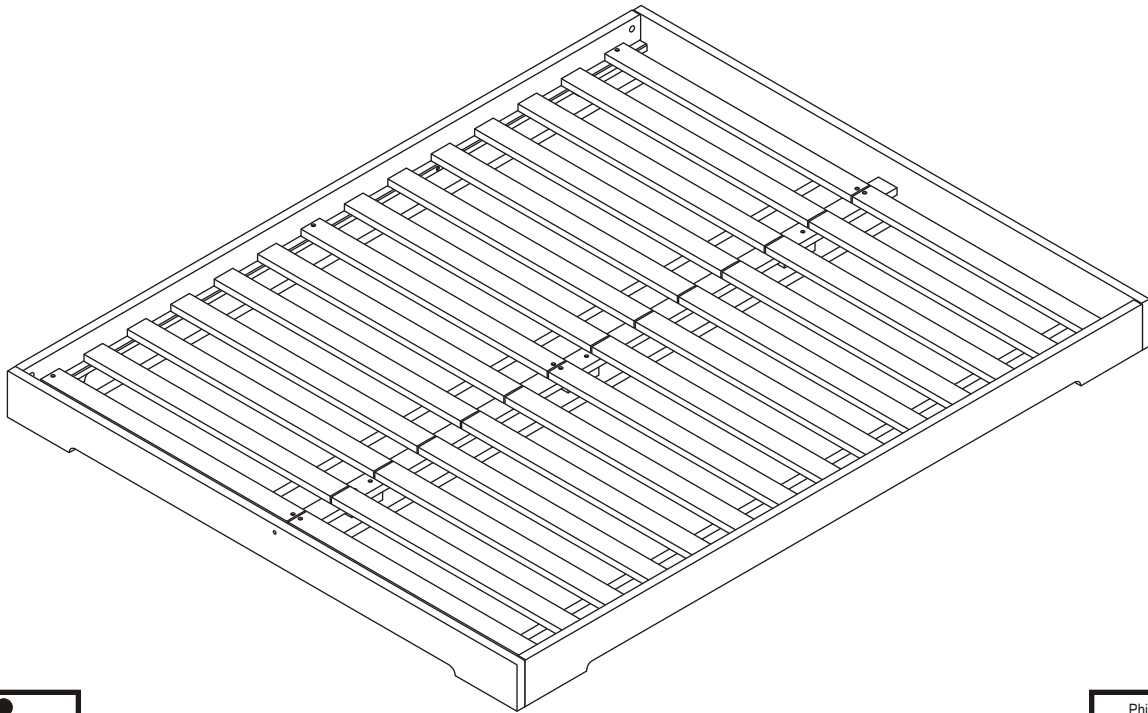
MACAO BED



ASSEMBLY INSTRUCTIONS

Thank you for choosing our new bed frame. This practical design offers the utmost in versatility. Before assembling your Macao Bed, please read through these instructions carefully, familiarising yourself with the different parts.

Instructions apply for all sizes of bed
> 90 > 140 > 160 > 180

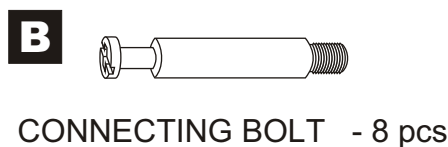
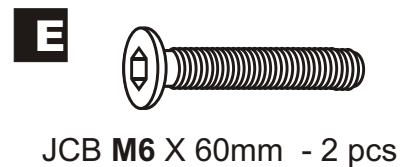
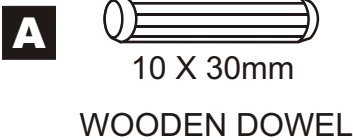


EXCENTER FITTING CONNECTIONS

Be sure the holes are free of wood chips and dust.
Start the Excenter Fitting into the hole by hand.
Use the Phillips Head Screwdriver to tighten.

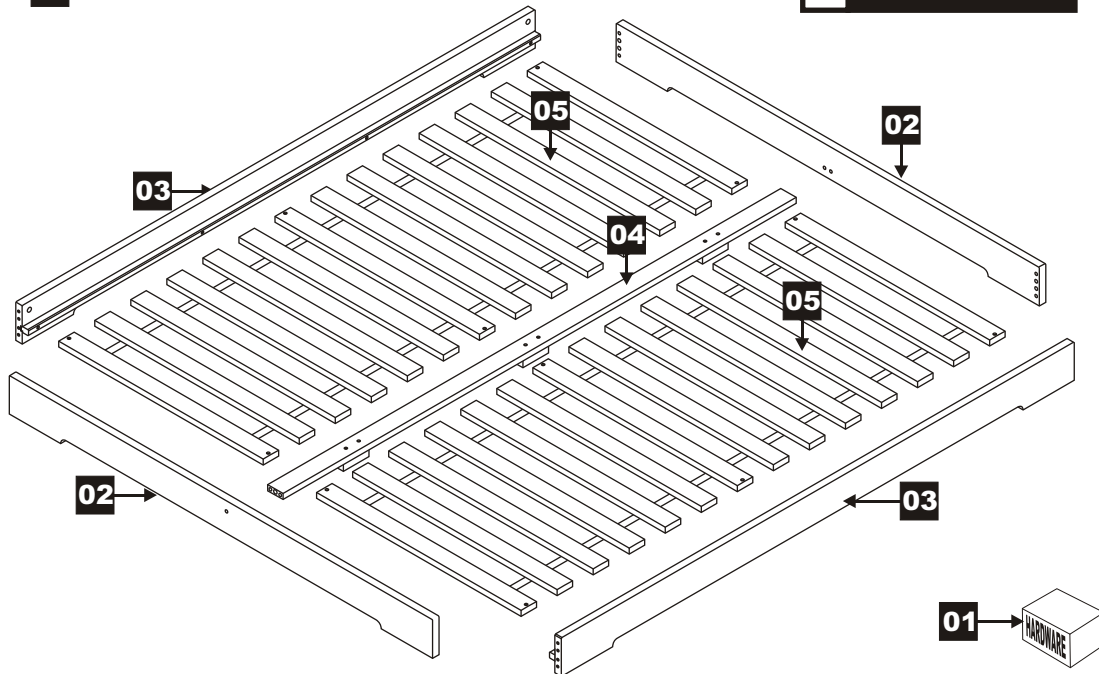


HARDWARE



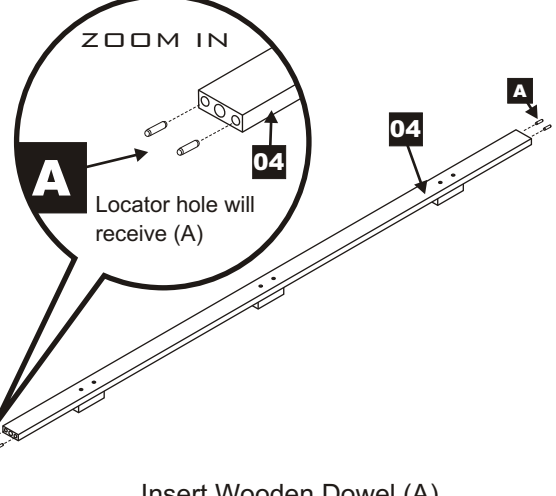
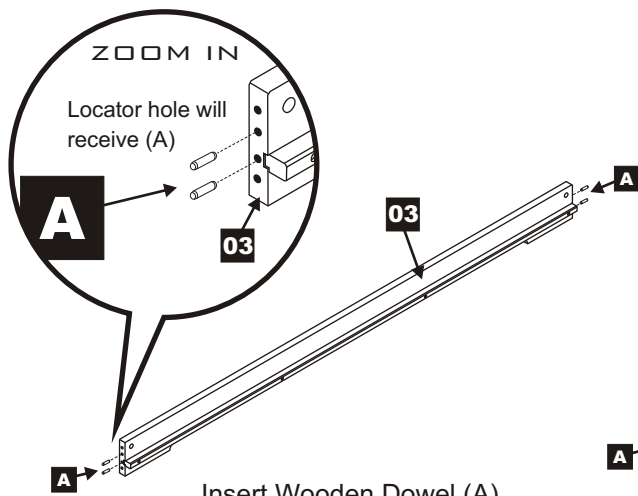
PARTS LIST

01	HARDWARE			
02	RAILS	2 PCS		BOX 1 OF 2
03	SIDE RAILS	2 PCS		
04	CENTER RAIL	1 PC		
05	SLAT KIT	1 SET		BOX 2 OF 2



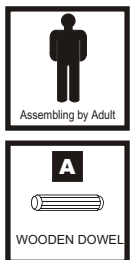
STEP 1

STEP 2

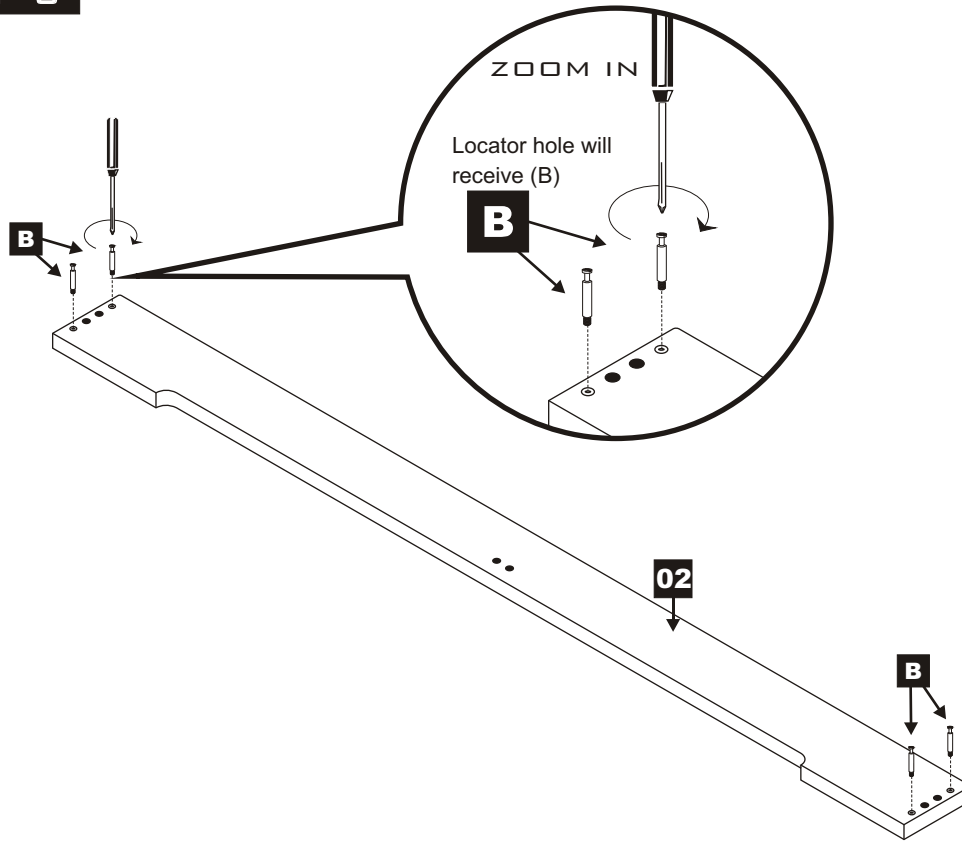


Insert Wooden Dowel (A), into the receiving hole in each end of Side Rails (03) as shown.

Insert Wooden Dowel (A), into the receiving hole in each end of Center Rail (04) as shown.

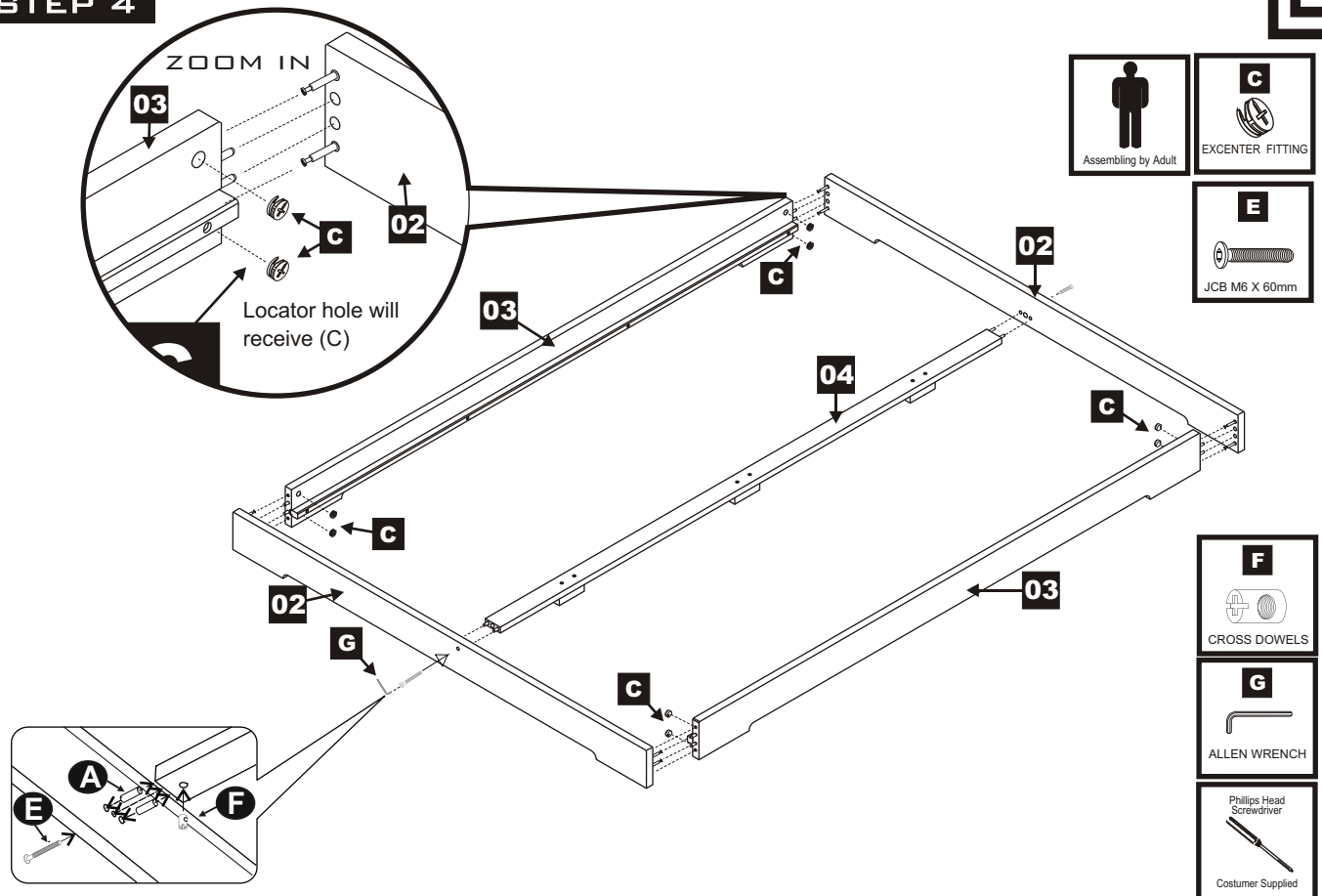


STEP 3



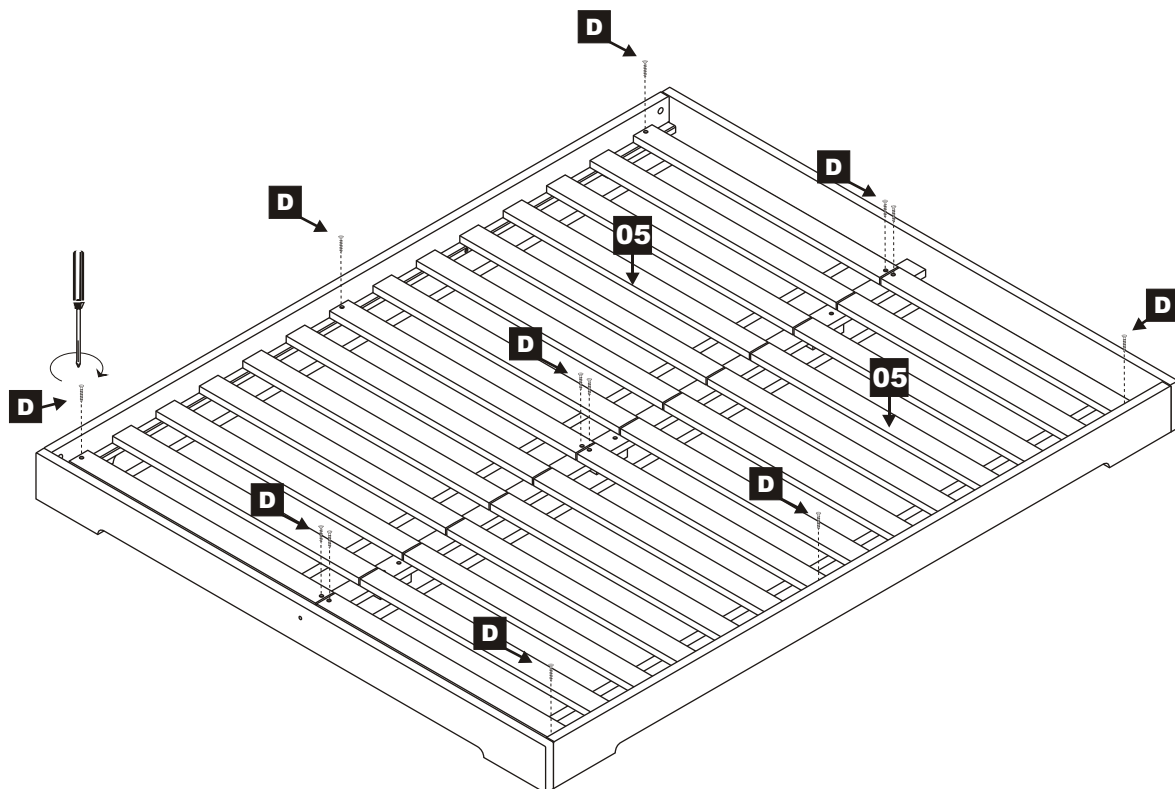
Install Connecting Bolts (B) into receiving hole of Side Rails (02) as shown. Tighten with Phillips Head screwdriver.

STEP 4

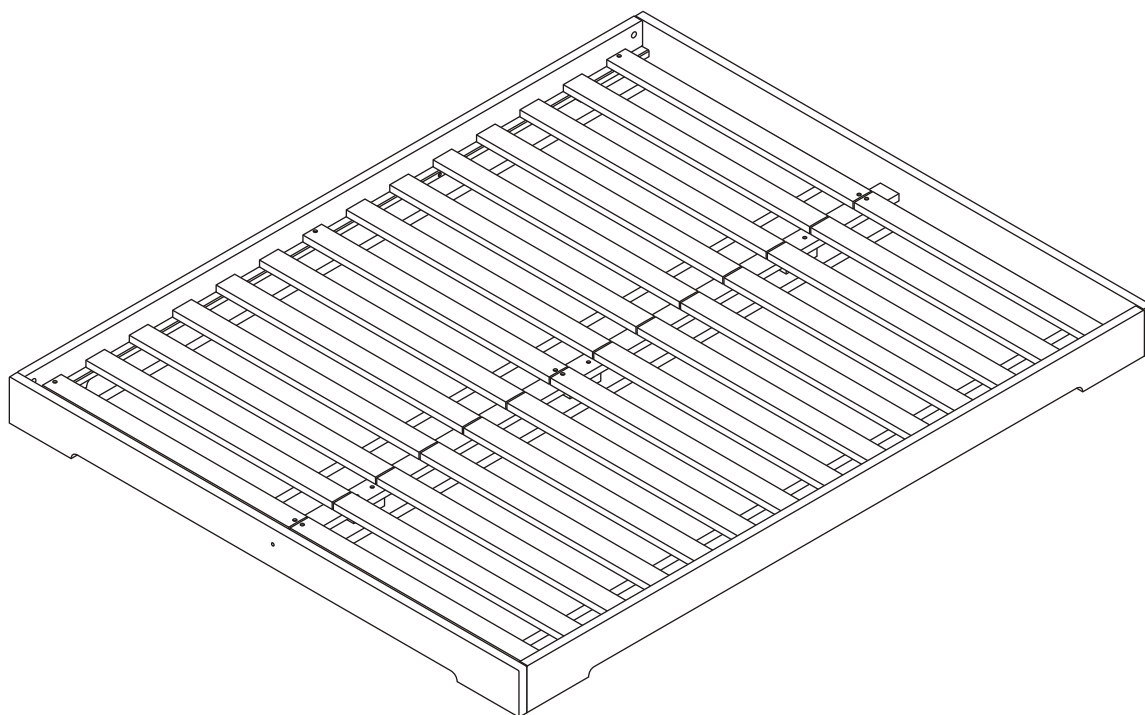


Attach Side Rails (03) & Center Rail (04) to the Rails (02) as shown. Using Excenter Fitting (C). Tighten with Phillips Head Screwdriver.

STEP 5



Lay the Slat kit (05) onto the Bed as shown. Using Wood screws (D), Tighten with Phillips Head Screwdriver. Be sure the space between Slat is even.



CONGRATULATIONS !

Your Macao Bed is now ready for use.
We recommend that you recheck that all screws are tightened,
And that all parts are secure before use and periodically to ensure Safety.